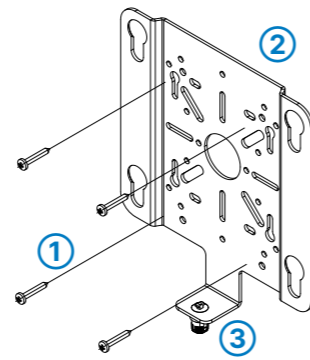
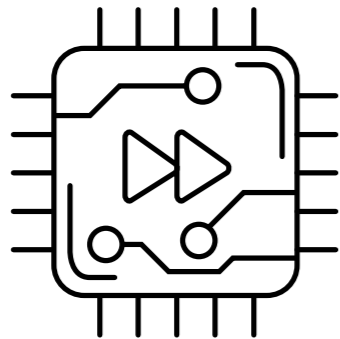


Hardware Quick Reference LANCOM LX-7300



Wall mounting

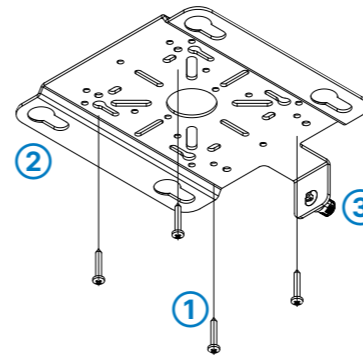
Depending on the wall material structure, select 4 suitable pan head screws M4×35 **1** and, if necessary, suitable dowels for mounting the retaining plate **2** on a sufficiently load-bearing wall.

Mount the retaining plate **2** with the screws **1** through the holes marked in the illustration to the wall.

The access point is already prepared for mounting on the mounting plate.
Insert the access point into the mounting plate so that the locking mechanisms on the device and mounting plate are opposite each other and the screws M6×10 **4** already pre-assembled on the device reach into the keyhole-shaped recesses of the retaining plate. Then push the device towards the locking mechanism up to the stop.

Ensure that the appliance is locked by tightening the locking screw **3** in the direction of the device and then turn it 90° clockwise.

To remove the device, turn the locking screw **3** 90° counterclockwise and pull it away from the device. The device can now be removed from the retaining plate in the opposite direction to the locking direction.



Ceiling mounting

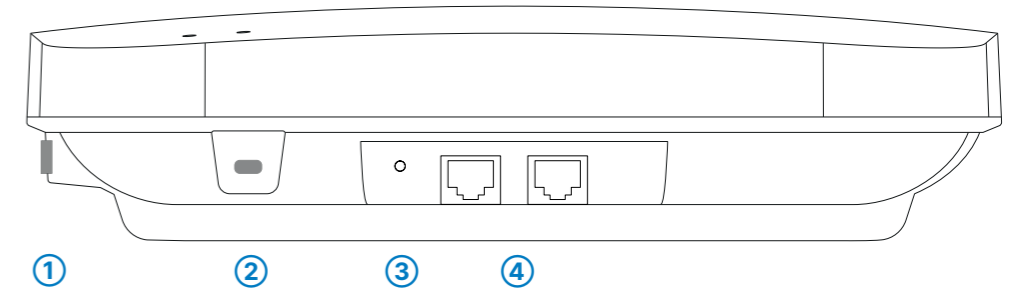
Depending on the ceiling material structure, select 4 suitable pan head screws M4×35 **1** and, if necessary, suitable dowels for mounting the retaining plate **2** on a sufficiently load-bearing ceiling.

Mount the retaining plate **2** with the screws **1** through the holes marked in the illustration to the ceiling.

The access point is already prepared for mounting on the mounting plate.
Insert the access point into the mounting plate so that the locking mechanisms on the device and mounting plate are opposite each other and the screws M6×10 **4** already pre-assembled on the device reach into the keyhole-shaped recesses of the retaining plate. Then push the device towards the locking mechanism up to the stop.

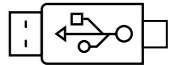
Ensure that the appliance is locked by tightening the locking screw **3** in the direction of the device and then turn it 90° clockwise.

To remove the device, turn the locking screw **3** 90° counterclockwise and pull it away from the device. The device can now be removed from the retaining plate in the opposite direction to the locking direction.



1 USB 2.0 interface

Connect compatible USB devices to the USB interface either directly or via a suitable USB cable.



2 Kensington Lock holder

For mechanical theft protection of the access point

3 Reset button

Pressed up to 5 seconds: Device restart

Pressed longer than 5 seconds:
Configuration reset and device restart



4 TP-Ethernet interfaces ETH1 / ETH2

Connect the ETH1 or ETH2 interfaces to other network components using suitable Ethernet cables.



Before initial startup, please make sure to take notice of the information regarding the intended use in the enclosed installation guide!

Please note that support for third-party accessories is not provided.

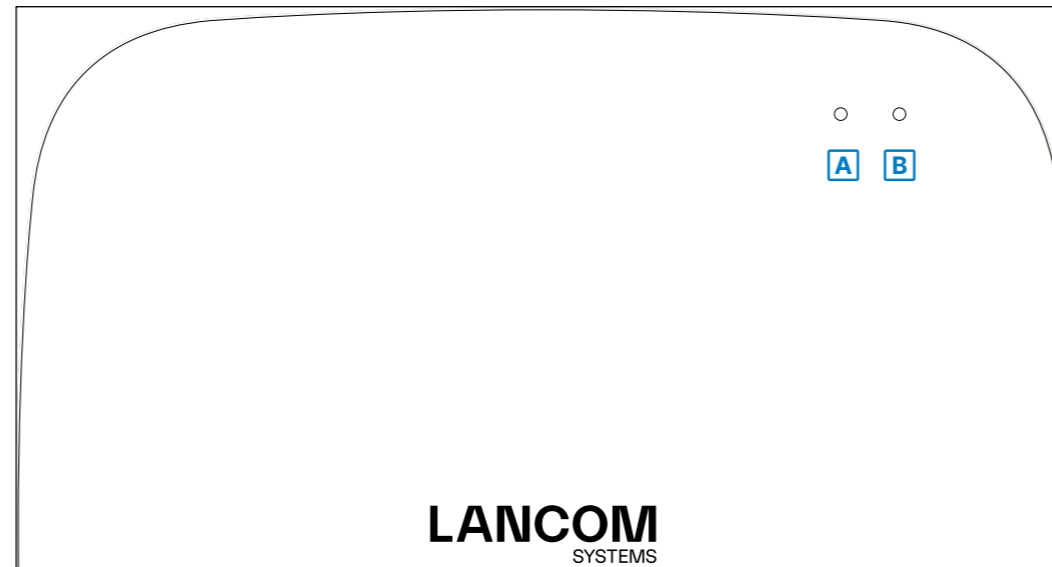
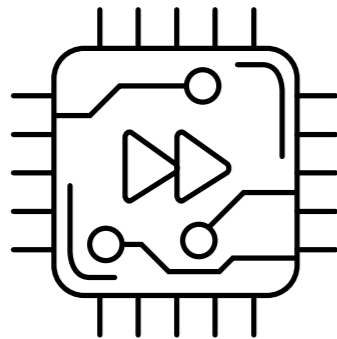


Please observe the following when setting up the device

- Do not place any objects on the top of the device or stack several devices
- Lockable wall and ceiling mounting using the supplied wall mount

LED description & technical details

Hardware Quick Reference LANCOM LX-7300



A Power	
Off	Device switched off
Green, permanently*	Device operational, resp. device paired / claimed and LANCOM Management Cloud (LMC) accessible.
Blue / red, alternately blinking	DHCP error or DHCP server not accessible (only when configured as DHCP client)
1x green inverse blinking*	Connection to the LMC active, pairing OK, claiming error.
2x green inverse blinking*	Pairing error, resp. LMC activation code / PSK not available.
3x green inverse blinking*	LMC not accessible, resp. communication error.
Purple, blinking	Firmware update
Purple, permanently	Device booting
Yellow / green, blinking alternating with WLAN Link LED	The access point searches for a WLAN controller
Yellow, permanently (after configuration of at least one SSID)	Device is supplied with reduced PoE power

B WLAN Link	
Off	No Wi-Fi network defined or Wi-Fi module deactivated. The Wi-Fi module is not transmitting beacons.
Green, permanently	At least one Wi-Fi network defined and Wi-Fi module activated. The Wi-Fi module is transmitting beacons.
Green, inverse flashing	Number of flashes = number of connected Wi-Fi stations
Green, blinking	DFS scanning or other scan procedure
Red, blinking	Wi-Fi module hardware error
Yellow / green, blinking alternating with power LED	The access point searches for a WLAN controller

*) The additional power LED statuses are displayed in 5-seconds rotation if the device is configured to be managed by the LANCOM Management Cloud.

The product contains separate components which, as so-called open source software, are subject to their own licenses, in particular the General Public License (GPL). The license information for the device firmware (LCOS LX) can be found via the command line with the command „show 3rd-party-licenses“. If required by the respective license, source files for the affected software components are provided on request. For this purpose, please contact us via e-mail at gpl@lancom.de.

Hardware	
Power supply	PoE 802.3bt or 802.3at for ETH1 Full scope of functions with 802.3bt
Environment	Temperature range 0–40 °C Humidity 0–95 %, non-condensing
Housing	Robust housing made of aluminum and plastic, protection class IP50, UL 2043; dimensions 270 × 270 × 65 mm (W x D x H), Kensington lock
Number of fans	None; fanless design, no rotating parts, high MTBF
Interfaces	
ETH1 (PoE)	100M / 1G / 2.5G / 5G / 10G BaseT, PoE 802.3at/bt
ETH2	10M / 100M / 1G / 2.5G BaseT
USB	USB 2.0
Wi-Fi	
Frequency band	2,400–2,483.5 MHz, 5,150–5,350 MHz, 5,470–5,725 MHz, 5,945–6,425 MHz; Country-specific restrictions possible.
Transmission rates	
2.4 GHz	2x2 MIMO and 40 MHz channel width with up to 575 Mbps acc. to IEEE 802.11ax with MCS11 / QAM-1024
5 GHz	2x2 MIMO and 160 MHz channel width with up to 2,882 Mbps acc. to IEEE 802.11be with MCS13
6 GHz	2x2 MIMO and 320 MHz channel width with up to 5,764 Mbps acc. to IEEE 802.11be with MCS13
Radio channels	
2.4 GHz	Up to 13 channels, max. 3 non-overlapping
5 GHz	Up to 19 non-overlapping channels (automatic dynamic channel selection required)
6 GHz	Up to 24 non-overlapping channels (EU/ETSI)
Streams	2x2 Multi-User MIMO for simultaneous control of multiple clients in downlink and uplink
Antennas	Integrated
Other radio technologies	
BLE	The device can detect BLE devices in the environment and forward the data to external systems for analysis using a REST API.
Package content	
Mounting kit	Mounting kit for wall and ceiling mounting

Hereby, LANCOM Systems GmbH | Adenauerstrasse 20/B2 | D-52146 Wuersele, declares that this device is in compliance with Directives 2014/53/EU, 2014/35/EU, 2011/65/EU, and Regulation (EC) No. 1907/2006. The full text of the EU Declaration of Conformity is available at the following Internet address: www.lancom-systems.com/doc



LANCOM
SYSTEMS



Cloud-ready