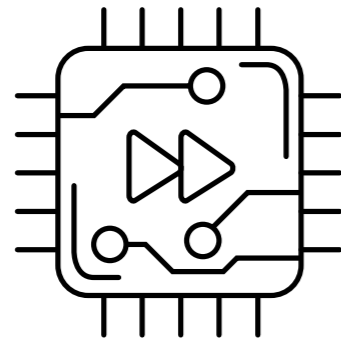
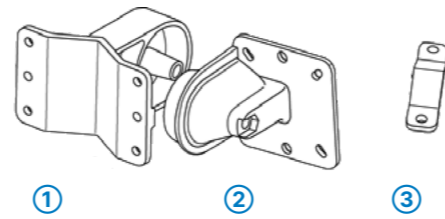


Hardware Quick Reference LANCOM OAP-5G



Mounting

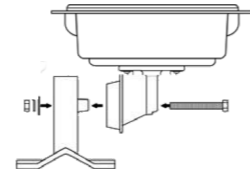


Screw the connector flange ② to the back of the housing with the four screws and their washers.

When fastening the clamp profile ③, please pay attention to tighten the screws equally with a maximum torque of 7 Nm!

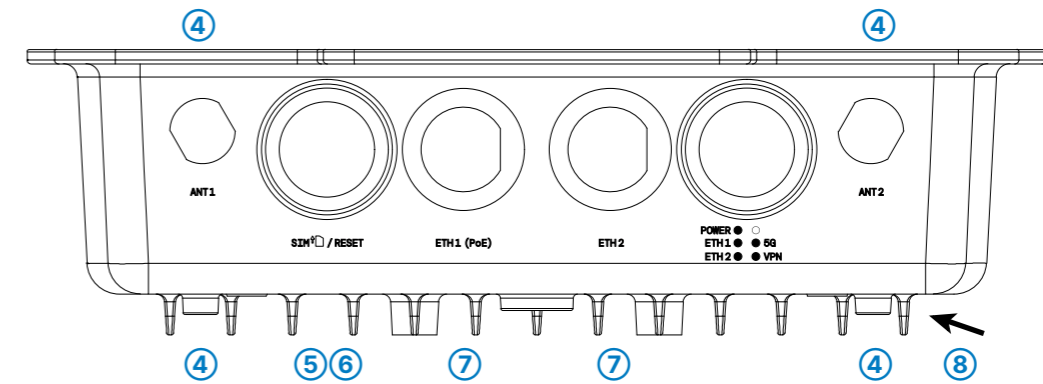
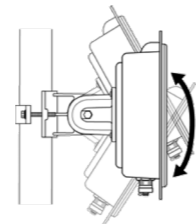
Wall mounting

Use the mounting arm ① as a template. Fix the mounting arm to the wall with the supplied screws and dowling plugs. Attach the access point with the connector flange ② to the mounting arm ①. Use the M8×110 bolt with spring locking washer, washer and nut.



Pole mounting

Place the clamp profile ③ around the pole. Screw the clamp profile onto the mounting arm with the supplied screws.



④ 5G antenna interfaces

Screw the supplied 5G antennas to the connectors ANT 1 - ANT 4 on both sides of the device.

⑤ Mini SIM card slot

Slide the SIM card into the SIM card slot using the marker to ensure that the card is the right way round. Ensure that the SIM card clicks into place on insertion.

To remove the card from the device, press the card lightly into the device. Let go to release the SIM card from the slot.

⑥ ETH1 (PoE), ETH2 interfaces

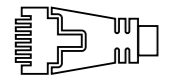
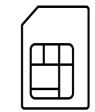
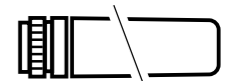
The device is simultaneously supplied with power via the ETH1 (PoE) connection. To do this, plug the supplied waterproof network cable into the ETH1 (PoE) port and screw the cable carefully. Connect the other end of the network cable to a free PoE-capable network socket of your local network or with a PoE injector. Optionally, connect the ETH2 interface to additional network devices.

⑦ Reset button

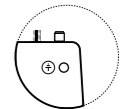
Up to 5 seconds pressed: Device restart
Pressed until all LEDs light up for the first time: Configuration reset and device restart

⑧ Grounding

Screw one end of the green/yellow grounding wire to the housing and attach the other end to a suitable ground.



RESET



Before initial startup, please make sure to take notice of the information regarding the intended use in the enclosed installation guide!

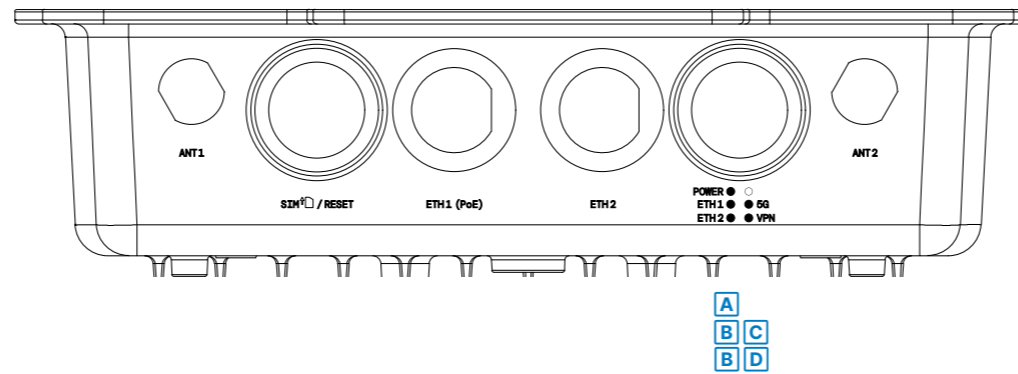
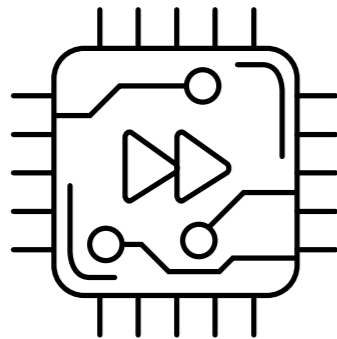


Please observe the following when setting up the device

- The housing of the device may become warm during operation.
- If the device is operated with outside temperatures exceeding 60 °C, it should be mounted with protection against contact.
- When using customized outdoor Ethernet cables, make sure that the cables have a short plug kink protection.

LED description & technical details

Hardware Quick Reference LANCOM OAP-5G



A Power

Off	Device switched off
Green, permanently*	Device operational, resp. device paired / claimed and LANCOM Management Cloud (LMC) accessible
Green, blinking	No configuration password set. Without configuration password, the configuration data of the device is unprotected
1x green inverse blinking*	Connection to the LMC active, pairing OK, device not claimed
2x green inverse blinking*	Pairing error, resp. LMC activation code not available
3x green inverse blinking*	LMC not accessible, resp. communication error

B ETH1 (PoE) / ETH2

Off	No networking device attached
Green, permanently	Connection to network device operational, no data traffic
Green, flickering	Data traffic

C 5G

Off	Cellular interface switched off
Green, blinking	Registration on the mobile radio system in progress
Green, permanently	Logon to the mobile radio system successful
Green, flickering	Data transmission
Green, flashing	Hardware error
Green, fast flashing	Marginal reception quality

D VPN

Off	VPN connection not active
Green, blinking	VPN connection establishment
Green, permanently	VPN connection active

Hardware

Power supply	Via Power-over-Ethernet compliant to IEEE 802.3at
Environment	-20 °C to +70 °C
Housing	Robust metal housing, protection class IP 67, for wall and pole mounting. Note: For installation in salt water environments please use a suitable outer housing. Dimensions 255 × 250 × 80 mm (length x width x depth)

Interfaces

ETH1 (PoE-in)	10 / 100 / 1000 Mbps, autosensing, PoE according to IEEE 802.3at
ETH2	10 / 100 / 1000 Mbps, autosensing
External 5G antenna connectors	4 NJ connectors for the supplied antennas. Please take into account the legal regulations of your country for the operation of antenna systems (especially antenna gain and transmission power).

Package content

Cables	Water-resistant, UV-resistant Ethernet cable with screw connector, 15 m
External antennas	4 5G antennas
Mounting kit	Equipment for wall and pole mounting, screws included
Covering cap	Ensures that the unit remains sealed in case an Ethernet port is unused
Grounding cable	To avoid electrostatic charge

*) The additional power LED statuses are displayed in 5-seconds rotation if the device is configured to be managed by the LANCOM Management Cloud.

The product contains separate components which, as so-called open source software, are subject to their own licenses, in particular the General Public License (GPL). The license information for the device firmware (LCOS) can be found on the WEBconfig interface of the device under the menu item „Extras → License information“. If required by the respective license, source files for the affected software components are provided on request via a download server.

Hereby, LANCOM Systems GmbH | Adenauerstrasse 20/B2 | D-52146 Wuerselen, declares that this device is in compliance with Directives 2014/30/EU, 2014/53/EU, 2014/35/EU, 2011/65/EU, and Regulation (EC) No. 1907/2006. The full text of the EU Declaration of Conformity is available at the following Internet address: www.lancom-systems.com/doc



LANCOM
SYSTEMS



Cloud-ready