

## AirLancer ON-360ag

Dual-band WLAN omni-directional antenna with 360° beam angle and 1x1 MIMO



The weatherproof LANCOM AirLancer ON-360ag omni-directional antenna provides effective WLAN over wide areas. Mounted centrally, it is ideal for 360° coverage in normal WLAN scenarios.

- WLAN omni-directional antenna with a 360° beam and +6.5 dBi at 2.4 GHz and +6 dBi gain at 5 GHz
- 1x1 MIMO technology for reliable WLAN coverage in simple scenarios
- Mounting kit, cables, and adapters included
- Connects to LANCOM indoor access points via the adapter AirLancer AN-RPSMA-NJ

# AirLancer ON-360ag

## Technical Information

Frequency range	2400 Mhz - 2500 Mhz and 4900 Mhz - 5900 Mhz
Impedance	50 Ohm
Polarization	vertical
Gain	6,5 dBi @ 2,4Ghz and 6 dBi @ 5Ghz
Half-Power-Beam-Width horizontal	360°
Half-Power-Beam-Width vertical	See pattern
VSWR	typ. 1.5:1 - max. 2.0:1

## Mechanical Information

Connector	1x N-Jack with 1m NP-NP cable
Dimensions	410 mm (L) x 22 mm (Diameter)
Weight	0,97 kg
Housing material	ASA plastic and aluminum
Color	white
Operating temperature	-20° to 65°C

## Article

Recommended use case	Hotspot / 360° coverage
Mounting material	Universal mount for wall and pole mount included

## Support

Warranty	2 years support
----------	-----------------

## Accessories

Antenna cable	AirLancer cable NJ-NP 3m, item no. 61230, AirLancer cable NJ-NP 6m, item no. 61231, AirLancer cable NJ-NP 9m, item no. 61232
Adapter	AirLancer AN-RPSMA-NJ adapter to connect ON Antennas to LANCOM Indoor Access Points and IAPs, item no. 61259
Surge arrester (antenna cable)	AirLancer SN-ANT surge arrester (2.4 and 5 GHz), to be integrated between Access Point and antenna, item no. 61258

# AirLancer ON-360ag

## Fit for the following LANCOM devices

Outdoor	LANCOM OAP Series 32x, 82x and 170x (with external antenna connectors)
Indoor	All LANCOM Indoor Access Points and IAPs via separately available Adapter AirLancer AN-RPSMA-NJ*

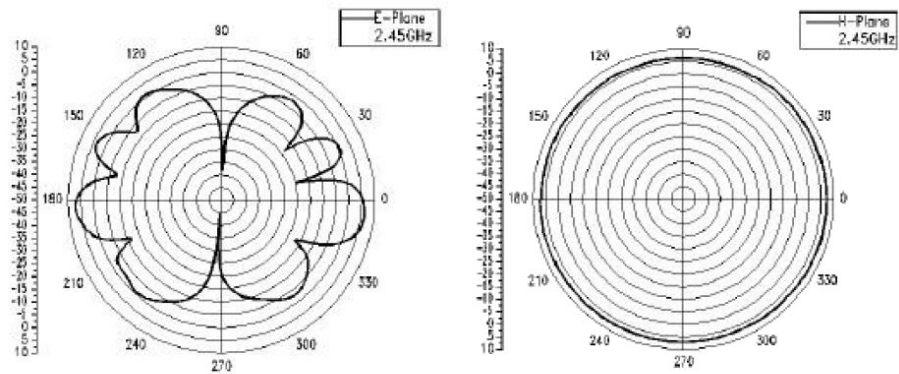
\*) Note You need one adapter per antenna connector

## Item number(s)

AirLancer ON-360ag	61209
--------------------	-------

## Antenna Gain

2.4 GHz



5 GHz

