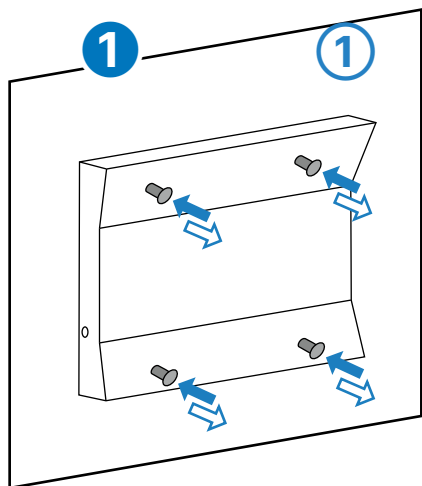


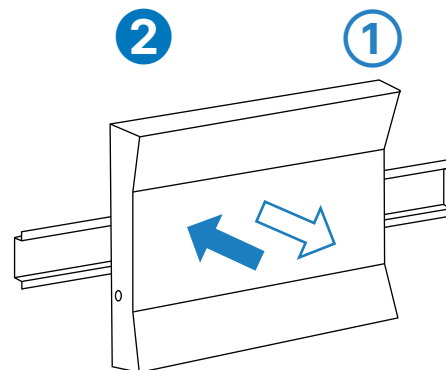
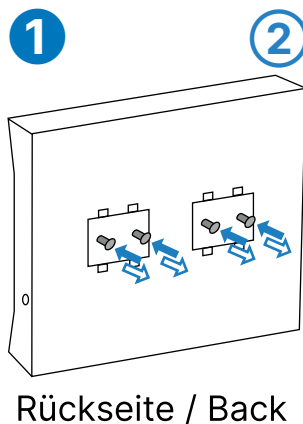
LANCOM Wall Mount (Rail)

Montageanleitung | Mounting instructions

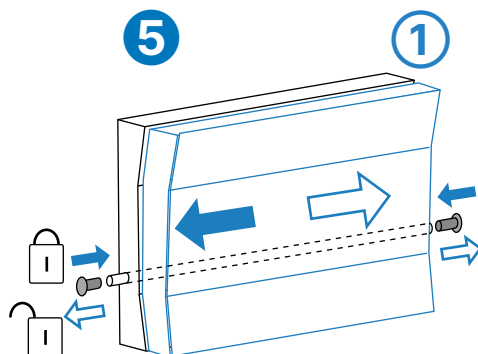
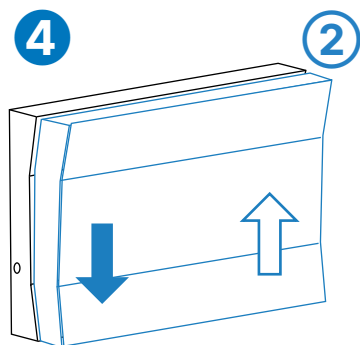
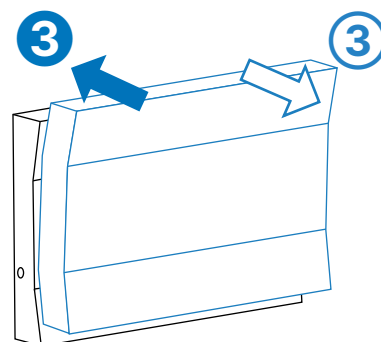
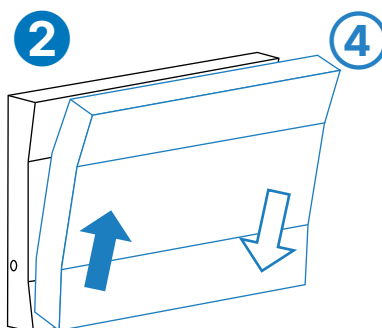
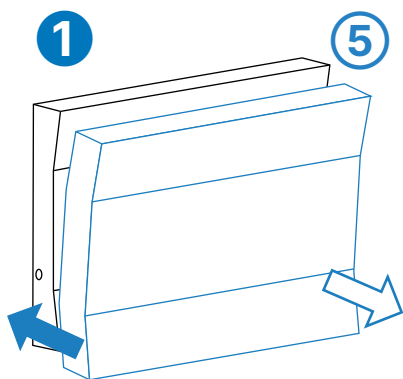
a) Wall Mount



b) Wall Mount Rail



Gerät / Device



Montage / Mounting 1 → 5

Demontage / Dismounting 1 → 5



LANCOM
SYSTEMS